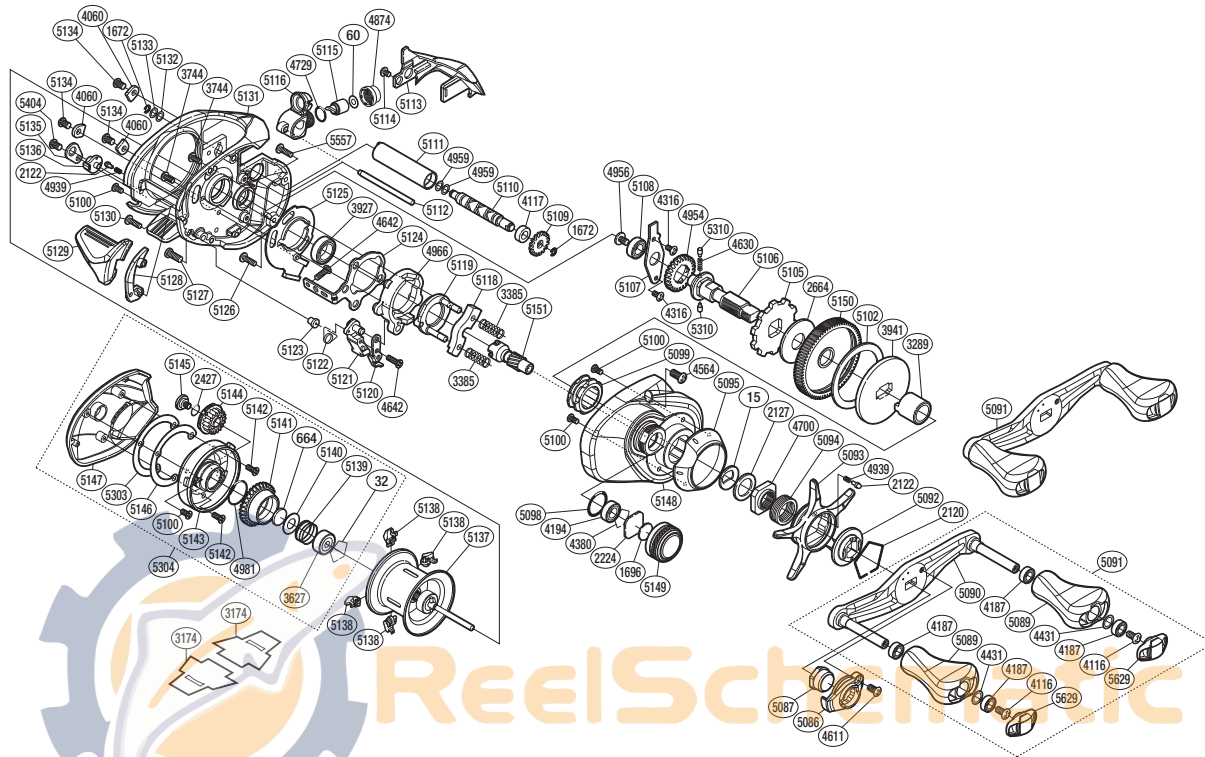


# SHIMANO

## ALDEBARAN SA-RB

## ALD-50HG



Please note that the number of adjusting washers may not be the same as shown in the exploded views. (Adjustment will vary with each individual product.)

(51RH900150X)

Part No.	Description	Part No.	Description	Part No.	Description
BNT0015	Drag Spring Washer	BNT4959	Washer	BNT5126	Screw
BNT0032	Bearing Retainer	BNT4966	Clutch Cam	BNT5127	Screw
BNT0060	Spacer	BNT4981	O Ring	BNT5128	Clutch Bar Guide
BNT0664	Spacer B	BNT5086	Handle Retainer	BNT5129	Quick-Fire II Clutch Bar
BNT1672	E Lock	BNT5087	Handle Nut	BNT5130	Screw
BNT1696	Cast Control Spacer	BNT5089	Handle Knob	BNT5131	One-Piece Frame
BNT2120	Click Plate Retainer	BNT5090	Handle Shank Assembly	BNT5132	Washer
BNT2122	Click Pin	BNT5091	Handle Assembly	BNT5133	Washer
BNT2127	Star Drag Spacer	BNT5092	Star Drag Click Plate	BNT5134	Screw
BNT2224	Spool Tension Spacer	BNT5093	Star Drag	BNT5135	Cam Lever Retainer
BNT2427	O Ring	BNT5094	Star Drag Spring	BNT5136	Side Plate Cam Lever
BNT2664	Drag Washer	BNT5095	Clutch Button Attachment	BNT5137	Spool Assembly(With Bearing)
BNT3289	Roller Clutch Inner Tube	BNT5098	O Ring	BNT5138	Brake Shoe
BNT3385	Yoke Spring	BNT5099	Roller Clutch Bearing	BNT5139	Bearing Pressure Spring
BNT3627	Ball Bearing	BNT5100	Screw	BNT5140	Washer
BNT3744	Screw	BNT5102	Drag Washer	BNT5141	Brake Pipe Gear
BNT3927	Ball Bearing	BNT5105	Anti-Reverse Ratchet	BNT5142	Screw
BNT3941	Key Washer	BNT5106	Drive Shaft	BNT5143	Brake Case
BNT4060	Side Frame Plate	BNT5107	Drive Shaft Retainer	BNT5144	Br Dial
BNT4116	Screw	BNT5108	Ball Bearing	BNT5145	Screw
BNT4117	Handle Knob Bushing	BNT5109	Idle Gear	BNT5146	Washer
BNT4187	Ball Bearing	BNT5110	Worm Shaft	BNT5147	Left Side Plate
BNT4194	Ball Bearing	BNT5111	Level Wind Guard	BNT5148	Right Side Plate
BNT4316	Screw	BNT5112	Stabilizer Bar	BNT5149	Cast Control Cap
BNT4380	Retainer	BNT5113	Level Wind Protector	BNT5150	Drive Gear
BNT4431	Washer	BNT5114	Screw	BNT5151	Pinion Gear
BNT4564	Screw	BNT5115	Line Guide Pawl	BNT5303	Washer
BNT4611	Screw	BNT5116	Line Guide	BNT5304	Left Side Plate Assembly
BNT4630	Idle Gear Spring	BNT5118	Yoke	BNT5310	Idle Gear Pin
BNT4642	Screw	BNT5119	Clutch Cam Retainer	BNT5404	Screw
BNT4700	Star Drag Nut	BNT5120	Clutch Pawl B	BNT5557	Screw
BNT4729	O Ring	BNT5121	Clutch Pawl A	BNT5629	Handle Knob Seal
BNT4874	Pawl Cap	BNT5122	Clutch Pawl Spring		
BNT4939	Click Spring	BNT5123	Clutch Spring Holder		
BNT4954	Idle Gear	BNT5124	Clutch Plate	BNT3174	Reel Seat Spacer (accessory)
BNT4956	Screw	BNT5125	Clutch Guard	BNT4692	B-100 Oil (accessory)